

AP Itineris Cassette Printer

Cassette printer



AP Itineris Cassette Printer

Code APCP02

Autoloader for APCP02

Code APCP04

Manufacturer: Diapath S.p.A.

The picture above shows the product but it is indicative for dimensions and accessories

GENERAL FEATURES

AP Itineris Cassette Printer is the world's first and only color cassette printer, manufactured according to CE-IVD and cULus certifications. It allows "on demand" or serial print with maximum print resolution of 300 dpi.

Collection technology by robotized arm ensures maximum smooth workflow, deleting errors from cassette jamming.

It allows to print either in black and in HD colors, texts, images, logos and linear and 2D (**datamatrix**) barcodes.

Thermal transfer printing technology with use of xylene-, alcohol-, reagent- and chemical-resistant inks to ensure reliable identification of slides now and for years in the future. Thermal transfer printing allows the use of ink ribbons easy to install and dispose, without the need of cartridges and/or mechanical parts with short life or linked to temporal constraints.

Thanks to new collecting function, **AP Itineris Cassette Printer** supports any biopsy cassettes with smooth surface, with or without cover, either 45° and 35° edge.

Functions:

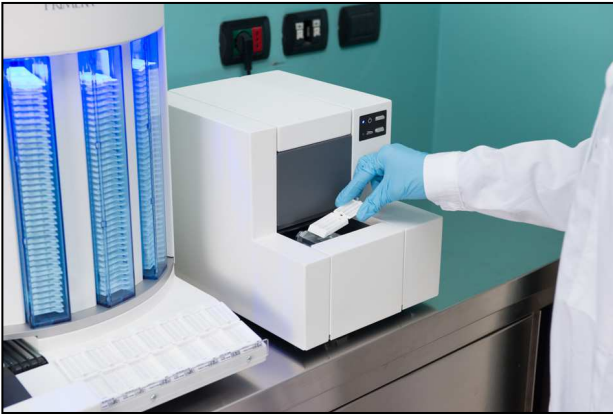
- Loader easy to insert with LED lighting for an easy visual verification of amount of remaining cassettes with appropriate hole
- Up to 16 kind of embedding cassettes with customizable printing layout
- Compatible with all linear and/or 2D (**datamatrix**) barcode readers
- Arrangement for interfacing the printer with hospital LIS by Windows based printing driver with easy-to-use USB connection
- Remote real-time technical assistance on the software (*)
- Xylene-, alcohol-, reagent- and chemical-resistant ink

Capacity and productivity:

- Printing technology: Thermal transfer
- Collection technology: **Robotized arm**
- Print speed: **Up to 12 cassettes/minutes**
- Print resolution: 300 dpi
- Ink type: Resin thermal transfer
- Ribbon types: Print kit colour: **1.000 prints**
Print kit black: **about 5.000 prints**
- Printable colors: 8 solid colors, others are available through color combination and dithering
- Loader capacity: 40 biopsy cassettes
- Loader number: 4 loaders (up to 16 loaders manageable)
- Output capacity: Up to 7 cassettes (without tray)
10 cassette for each tray
- Construction: Iron and plastic
- Cabinet color: Medical white
- Data interface: USB 2.0
- Drivers: Windows XP/Vista/7/8
- Dimensions (LxPxH): **31 x 66 x 49 cm**
- Weight: **35 kg**
- Power requirements: **100 – 240 VAC, 50 – 60 Hz, 60 watts**

(*) optional service on request

USE FEATURES



Easy to use

AP Itineris Cassette Printer is designed to ensure efficiency and automation.

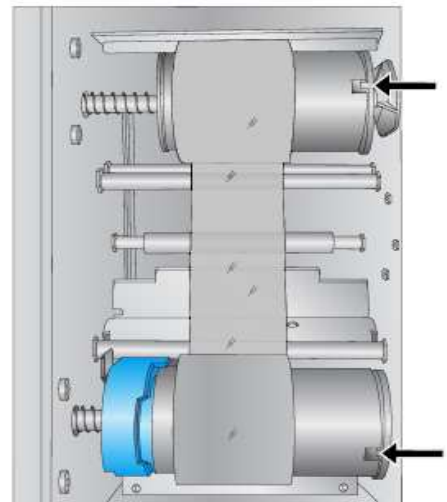
The modularity of the instrument divided in independent printing module and autoloader, reduces maintenance costs and increases use flexibility.

The cassette collection system with robotized arm detects main jam causes and releases the printer from gravity use.

Easy and saving maintenance

AP Itineris Cassette Printer is a user-friendly instrument designed to allow lab operating continuity and saving:

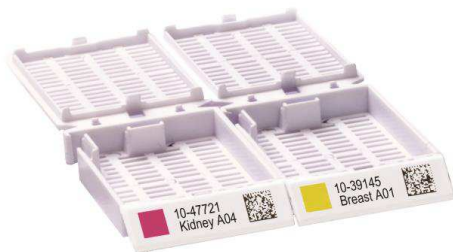
- No ribbon temporal constraints
- The essential mechanics facilitates ordinary maintenance by the user
- Replacement of ribbon and main printing components performable by the user
- Modular instrument divided in printing module and autoloader for a greater maintenance and use flexibility



Easy-to-use software

Software specifically designed **AP Itineris Cassette Printer**

- Easy cassette printing layout performable by the user
- Serial or on demand printing
- Tracking of performed operations
- Monitoring of remaining prints
- Data output for LIS interfacing
- Arrangement for the use with **Da Vinci cassette scanner**



AVAILABLE CONFIGURATIONS

AP Itineris Cassette Printer
Autoloader for APCP02

Code APCP02
Code APCP04

DEDICATED CONSUMABLES

Print kit black for AP Itineris Printers APRN00

N.1 indelible black ribbon. Print capacity: about 5.000 cassettes



Print kit colour for AP Itineris Printers APRC00

N.1 indelible black ribbon. Print capacity: 1.000 cassettes



OPTIONALS

Datamatrix reader with support AP3340

Linear and 2D (datamatrix) barcode reader



PC AP Itineris all-in-one touch screen 15.6" AP3350

PC all-in-one touch screen with PTLab and PTTemplate software



PC AP Itineris all-in-one touch screen 18.5" AP3351

PC all-in-one touch screen with PTLab and PTTemplate software



Wall support for PC AP Itineris CRDINTLED200

Support for PC monitor



Adjustable benchtop support for PC AP Itineris CRDVS100DKE

Support for PC monitor



Benchtop support 31 cm for PC AP Itineris CRDICA-MS04

Support for PC monitor



Loader for Autoloader APCP04 APCP07

Loader with maximum capacity of 40 cassettes



Keyboard and mouse CRD0001

Universal wireless keyboard and mouse



Slide for Sakura cassettes APCP9001

Slide for Autoloader compatible with Sakura cassettes



DIAPATH

Equipped accessories:

- Power cord with schuko socket*
- USB cable
- Ribbon
- Installation disc
- Print head's Cleaning pen and cleaning paper
- Documentation
- Extension tray

*adapter not included

AP Itineris Cassette Printer is validated for **Da Vinci cassette scanner**.

CASSETTE COMPATIBILITY

- Cassette with 35° and 45° edge, stacked sleeved or loose
- Cassettes with or without cover
- Compatible with cassettes for automatic embedding system

